

4

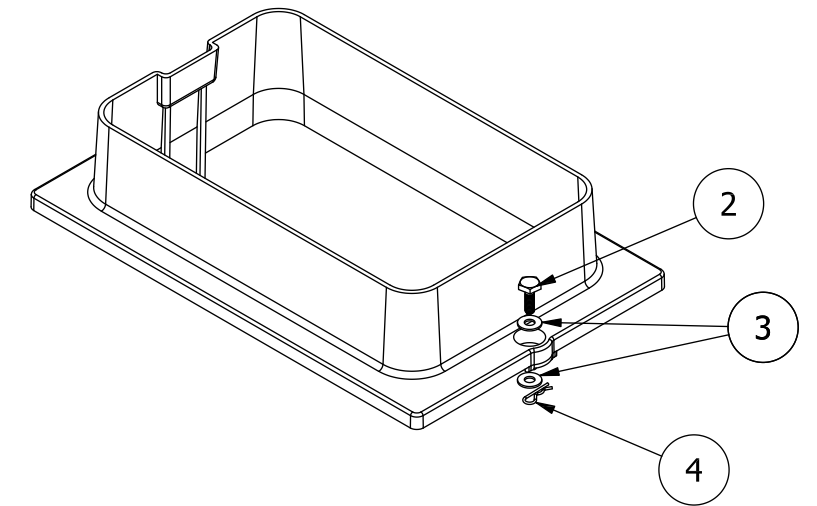
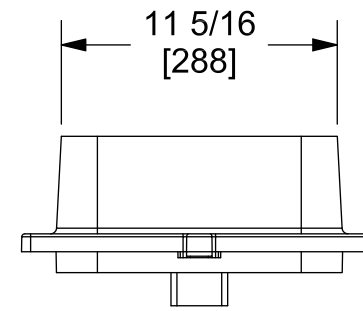
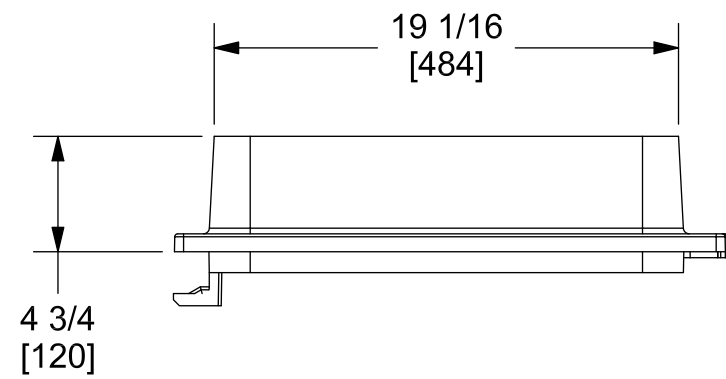
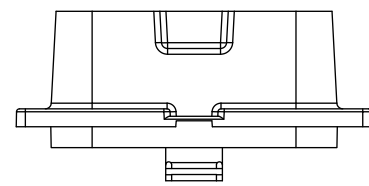
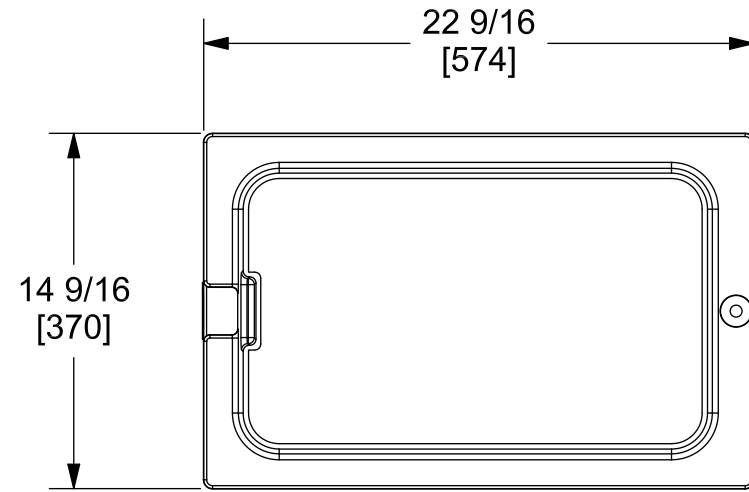
3


2

1

PARTS LIST

ITEM	CATEGORY	PART NUMBER	DESCRIPTION	QTY	BASE UNIT
2	L	RM01005	BOLT SS 3/8-16 X 1.25 PENTA	1	Each
3	L	RM02011SS	WASHER SS 3/8 FLAT	2	Each
4	L	RM02015	CLIP HAIR PIN SMALL	1	Each



DIMENSIONS ARE IN INCHES OR MILLIMETERS IN BRACKETS UNLESS OTHERWISE NOTED.					
DRN	BY	DATE	WEIGHT	 3621 INDUSTRIAL PARK DR LENOIR CITY, TN 37771 800-346-3062 www.quazite.com	LOC
CHK	JTP	6/18/18	SCALE		LC
ENG			NTS	DRAWING DESCRIPTION	REV
APR			SIZE		A
APR			B	SLEEVE TRANSFORMER PAD PE20	6/18
ESR #		121085		DRAWING NUMBER	
				TPS20PE	
			SHEET 1 OF 1		

4

3

2

1